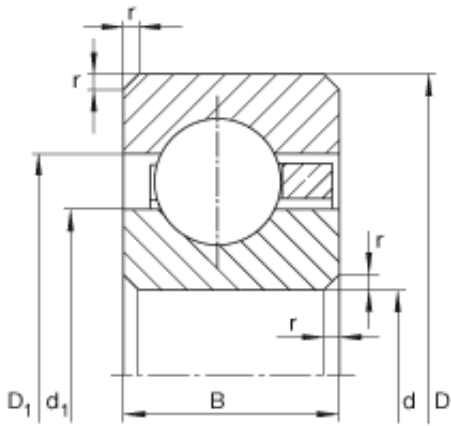




NTN Bearing Manufacturing

12 inch x 330,2 mm x 12,7 mm INA CSCD120 deep groove ball bearings

Bearing No. CSCD120



CSCD120 Bearing 2D drawings and 3D CAD models

Size	304.8x330.2x12.7 mm
Bore Diameter	304,8 mm
Outer Diameter	330,2 mm
Width	12,7 mm
d	304,8 mm
d	12 inch
D	330,2 mm
B	12,7 mm
D_1	320,8 mm
d_1	314,2 mm
r_{min}	1,5 mm
m	1,03 kg / Weight
C_r	17100 N / Dynamic load rating (radial)
C_{0r}	34500 N / Static load rating (radial)