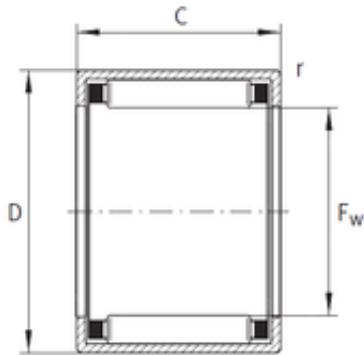




NTN Bearing Manufacturing

INA HK3220 needle roller bearings



Bearing No. HK3220

Size	32x39x20 mm
Bore Diameter	32 mm
Outer Diameter	39 mm
Width	20 mm
Fw	32 mm
D	39 mm
C	20 mm
c1 min	—
r min.	0,8 mm
Weight	0,0406 Kg
Basic dynamic load rating (C)	23 kN
Basic static load rating (C0)	42,5 kN
Fatigue load limit (Pu)	5,5
Reference speed	5 900 r/min

HK3220 Bearing 2D drawings and 3D CAD models