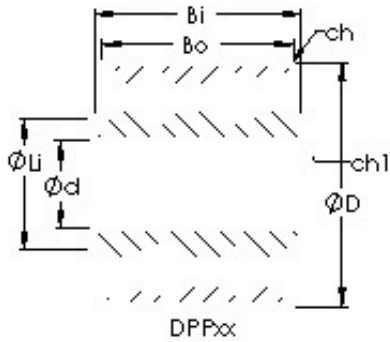




NTN Bearing Manufacturing



AST DPP4 deep groove ball bearings

Bearing No. DPP4

Bore Diameter	6,35 mm
Outer Diameter	22,89556 mm
Bearing Type	DPPxx
Bore Dia (d)	0.2500
Outer Dia (D)	0.9014
Outer Width (Bo)	0.4910
Inner Width (Bi)	0.6200
Dynamic Load Rating (Cr)	3,020
Static Load Rating (Cor)	5,370
Max. Shaft Shoulder Dia. Inner (Li)	0.4
Ball Qty	22
Ball Dia (Dw)	0.1560
Max. shaft corner radius, or 45 deg. chamfer (ch1)	0.005
Max. housing corner radius, or 45 deg. chamfer (ch)	0.032
Material	52100 Chrome steel or equivalent

DPP4 Bearing 2D drawings and 3D CAD models