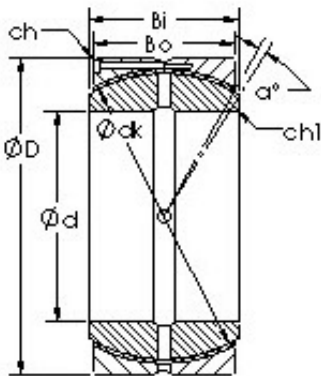




NTN Bearing Manufacturing



AST GEC380HCS plain bearings

Bearing No. GEC380HCS

Bore Diameter	380 mm
Outer Diameter	520 mm
Bearing Type	smaller profile
Bore Dia (d)	380.0000
Outer Dia (D)	520.0000
Outer Width (Bo)	160.0000
Inner Width (Bi)	190.0000
Dynamic Load Rating (Cr)	7,200,000
Static Load Rating (Cor)	14,400,000
Max. shaft corner radius, or 45 deg. chamfer (ch1)	1.500
Max. housing corner radius, or 45 deg. chamfer (ch)	4.000
Spherical Diameter (dk or Dk)	450.000
Mis-alignment Angle (a deg.)	4
Weight (g)	129,000.00
Material	Outer ring made from carbon steel, inner ring 52100 chrome steel or equivalent

GEC380HCS Bearing 2D drawings and 3D CAD models