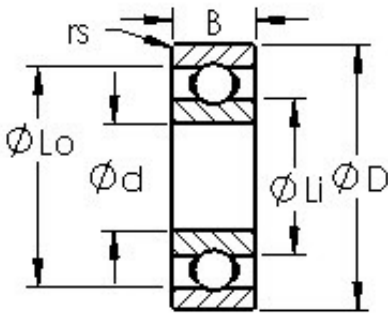




NTN Bearing Manufacturing



SMR41X Bearing 2D drawings and 3D CAD models

AST SMR41X deep groove ball bearings

Bearing No. SMR41X

Size	1.2x4x1.8 mm
Bore Diameter	1,2 mm
Outer Diameter	4 mm
Width	1,8 mm
Bearing Type	Open
Bore Dia (d)	1.2000
Outer Dia (D)	4.0000
Width (B)	1.8000
Radius (min) (rs)	0.100
Dynamic Load Rating (Cr)	95
Static Load Rating (Cor)	26
Max Speed (Grease) (X1000 RPM)	110
Max Speed (Oil) (X1000 RPM)	130
Max. Shaft Shoulder Dia. Inner (Li)	2.2
Min. Housing Shoulder Dia., Outer (Lo)	3.1
Ball Qty	7
Ball Dia (Dw)	0.6000
Weight (g)	0.10
Precision	A1
Standard Clearance	K25
Material	Martensitic Stainless Steel